

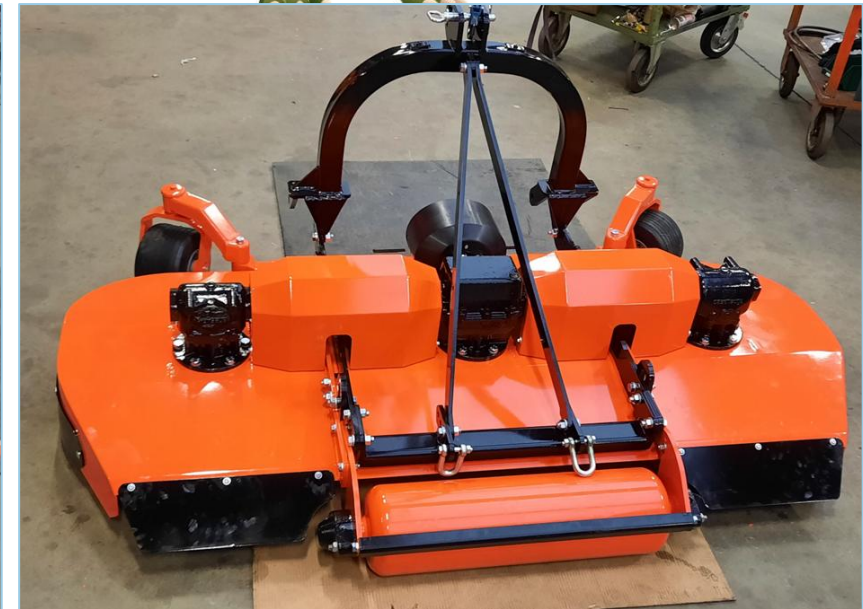


# PERFECT T-Rex

Specs & Information



# Direct drive orchard mower





# Direct drive orchard mower

## Specifications:

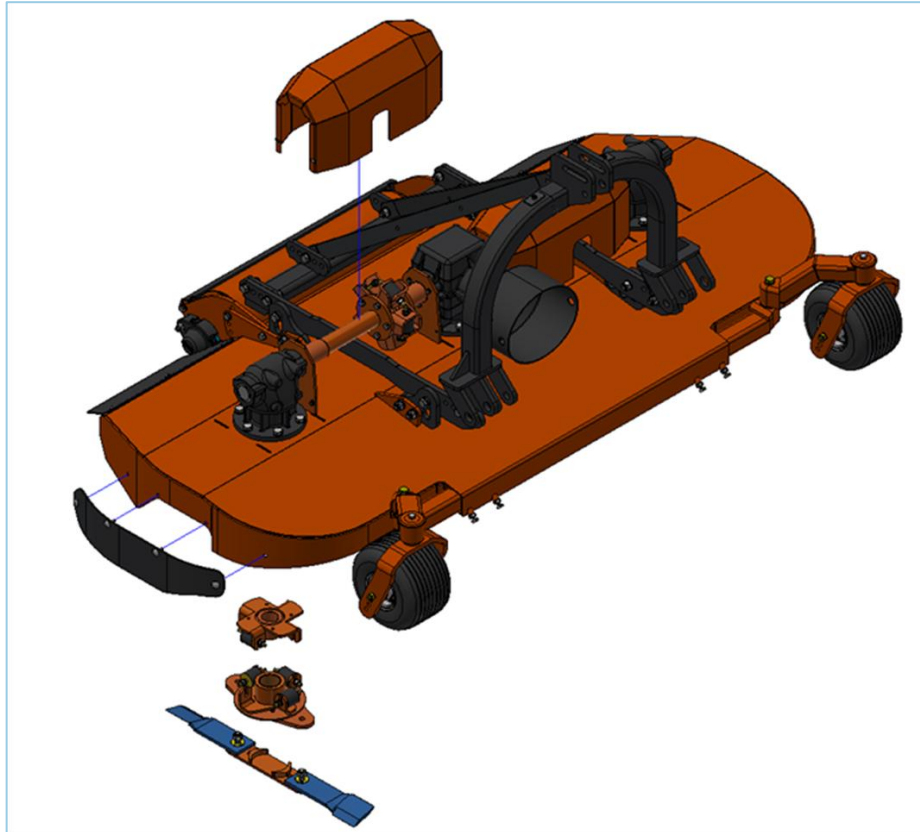
- Powerful direct drive system
- Capacity mower made for higher grass
- Side discharge possible
- Compact build, 225 cm (88.6") with 3 knives
- Working width 150 > 290 cm (59" > 114")
- Safety coupling with shock absorbers
- Standard big rear roller = 219mm (8.6")
- Floating headstock
- PTO with overload clutch
- Full rubber wheels



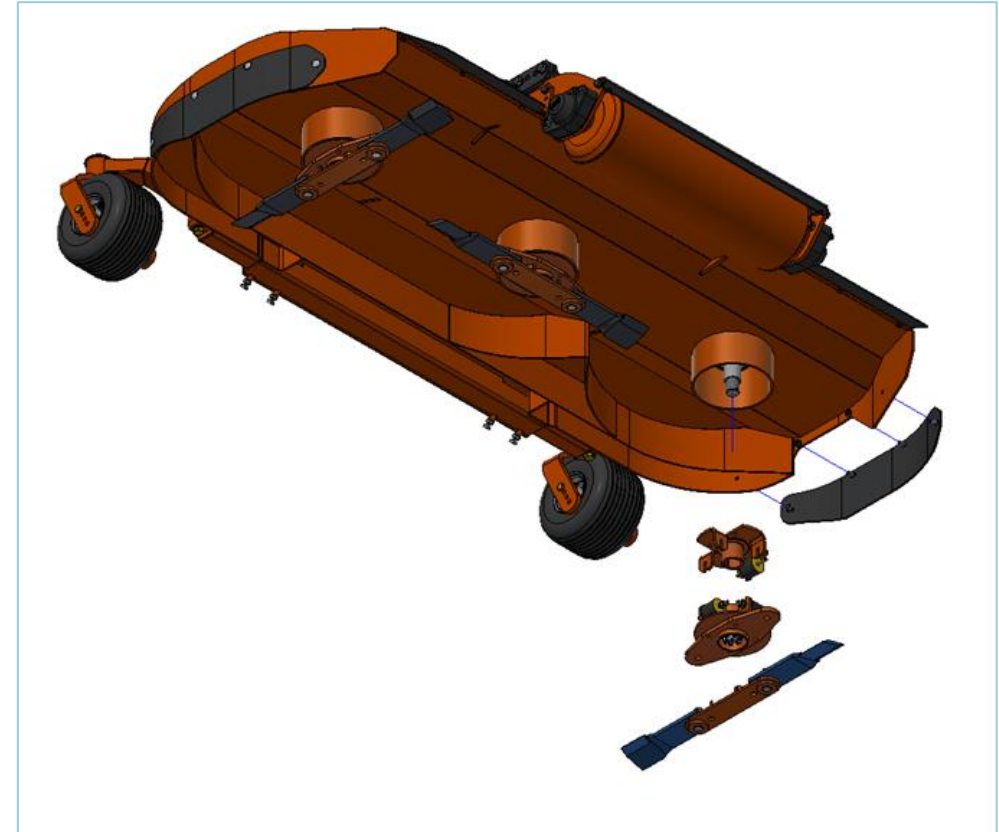
**PERFECT T-Rex during a successful test run**



# Direct drive orchard mower



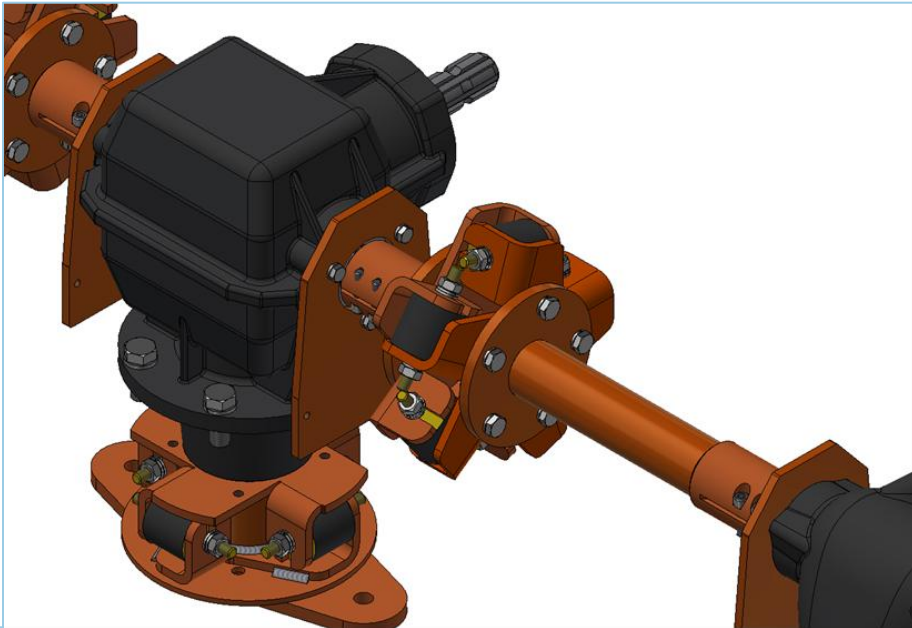
PERFECT T-Rex top view



PERFECT T-Rex bottom view



# Direct drive orchard mower



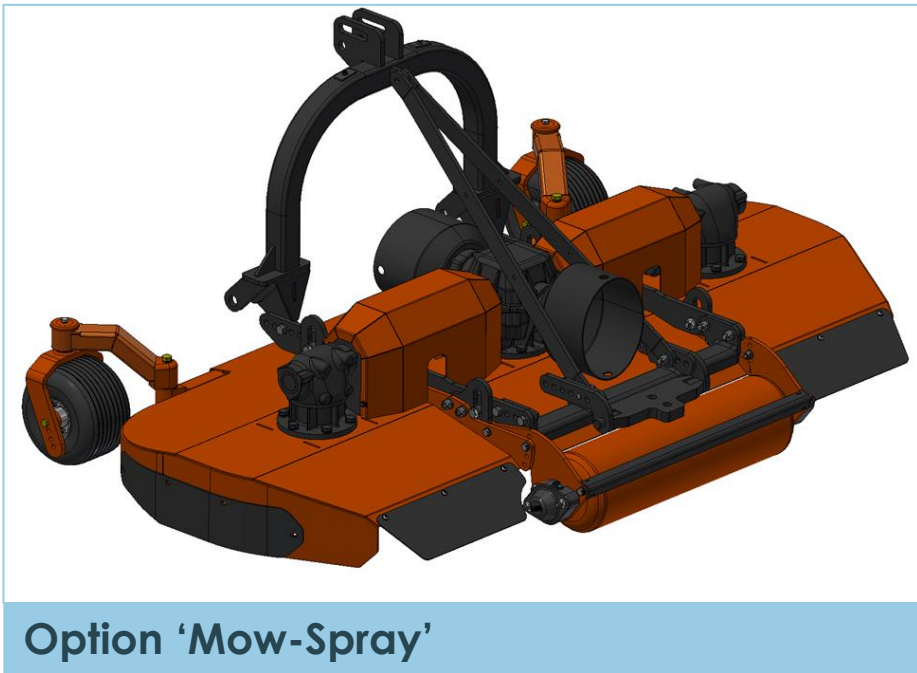
Safety coupling with shock absorbers



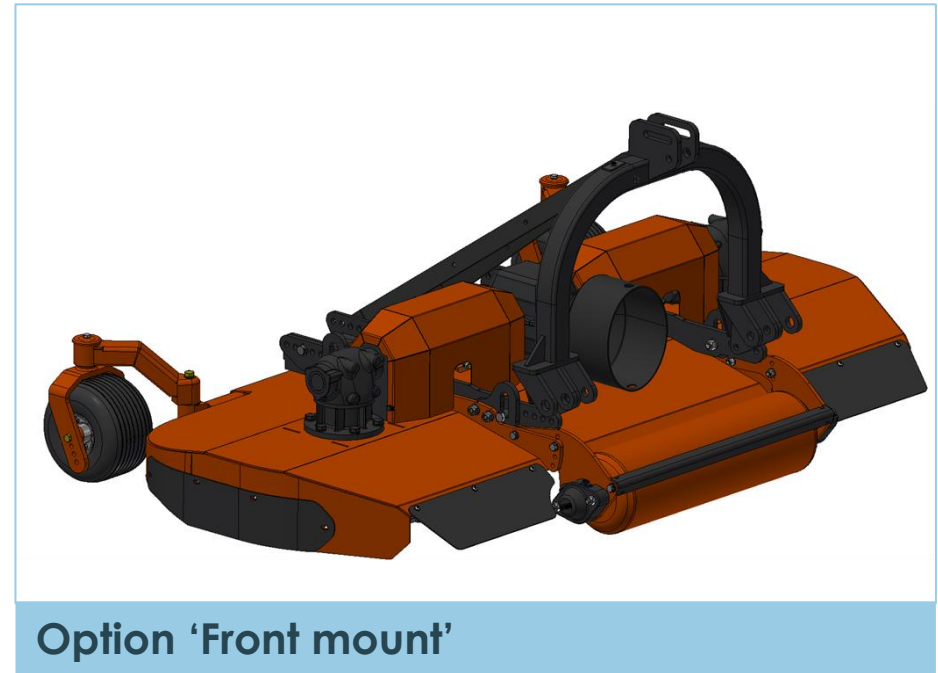
Shock absorbers for each rotor



# Direct drive orchard mower



Option 'Mow-Spray'



Option 'Front mount'



# Specifications

Technical specifications	T-Rex 150	T-Rex 165	T-Rex 185	T-Rex 200	T-Rex 225	T-Rex 245	T-Rex 270	T-Rex 290
Cutting width (cm)	150	165	185	200	225	245	270	290
Min. power required at 540 rpm (kw/hp)	26/35	29/40	36/50	40/55	43/60	43/60	56/75	56/75
Number of blades	2	2	2	3	3	3	3	3
Transport width (cm)	155	170	190	205	230	250	275	295
Cutting height (cm)	4-10	4-10	4-10	4-10	4-10	4-10	4-10	4-10
Length of rear roller (cm)	80	80	80	80	80	80	80	80
Max. offset from centre of tractor, option (cm)	100	108	118	125	138	148	160	170
Weight (kg)	420	430	450	495	530	570	630	660



Thank you for your attention!  
Stay tuned for more  
**T-Rex** news...