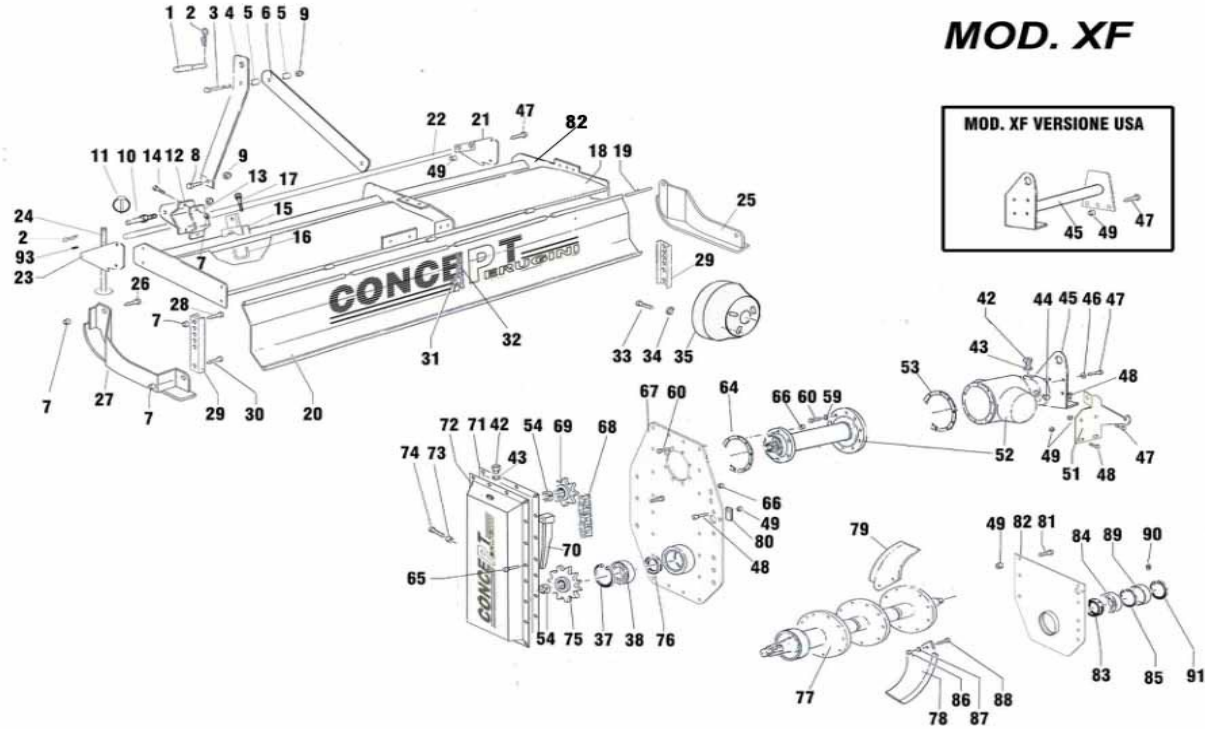


MOD. XF



POS.	COD.	DESCRIZIONE	DESIGNATION	DESCRIPTION	BEZEICHNUNG
1	171088	PERNO	AXE	PIN	BOLZEN
2	170000	COPIGLIA ELASTICA	GOUPILLE DE SURETE	R CLIP	VORSTUECKER
3	V41208Z	VITE TE M12x40x1,25 8.8 TOT.FILL. UNI 5740 CON ZINCATURA	VIS 12x40x1,25 GALVANISE	SCREW 12x40x1,25 GALVANIZED	ZINK-SCHRAUBE 12x40x1,25
4	370200	TIRANTE LATERALE ATT. 3 P	PLAQUE LATERALE 3 POINTS	3 POINT LINK PLATE	KONSOLE FLANSCHPLATTE
5	370315	DISTANZIALE	ENTRETOISE	SPACER	ABSTANDSSTUECK
6	370201	TIRANTE ATT. 3 PUNTI XF	TIRANT ATTACHE 3 POINTS XF	HEADSTOCK REAR STAY XF	ZUGSTANGE XF
7	A41214Z	DADO AUTOBLALTO M12x1,25 CL.8 DIN 982 CON ZINCATURA	ECROU AUT. M12x1,25 GALVANISE	GALVANISED LOCKNUT M12x1,25	GALVANISIERTE MUTTER M12x1,25
8	V41208Z	VITE TE M12x40x1,25 8.8 TOT.FILL. UNI 5740 CON ZINCATURA	VIS 12x40x1,25 GALVANISE	SCREW 12x40x1,25 GALVANIZED	ZINK-SCHRAUBE 12x40x1,25
9	A41214Z	DADO AUTOBLALTO M12x1,25 CL.8 DIN 982 CON ZINCATURA	ECROU AUT. M12x1,25 GALVANISE	GALVANISED LOCKNUT M12x1,25	STOP-MUTTER
10	171090	PERNO	AXE	PIN	BOLZEN
11	170010	SPINA CON MOLLA A SCATTO D.10	GOIJON DE SURETE	LINCH PIN	KLAPPSPLINT
12	370716	ATTACCO INFERIORE	CHAPPE 3 POINTS INF.	LOWER LINKAGE PLATE	UNTERLENKER ANHAENGUNG
13	604203	CONTROSTAFFA ATT. INFERIORE ZF/XF	PLAQUE ZF/XF	PLATE ZF/XF	HALTERUNG ZF/XF
14	V41209Z	VITE TE M12x40x1,25 8.8 TOT.FILL. UNI 5740 CON ZINCATURA	VIS 12x40x1,25 GALVANISE	SCREW 12x40x1,25 GALVANIZED	ZINK-SCHRAUBE 12x40x1,25
15	370717	ATTACCO FIANCO	CHAPPE 3 POINTS	LOWER LINKAGE PLATE	VERBINDUNGSSTUECK
16	800305	CAVALLOTTO ZF	ETRIER	U BOLT	HALTER
17	V41224Z	VITE TE M12x120x1,25 8.8 TOT.FILL. UNI 5740 CON ZINCATURA	VIS 12x120x1,25 GALVANISE	SCREW 12x120x1,25 GALVANIZED	ZINK-SCHRAUBE 12x120x1,25
18	370700	TELAIO ZF/XF.090	CHASSIS ZF/XF.090	CHASSIS ZF/XF.090	WANNE ZU ZF/XF.090
	370701	TELAIO ZF/XF.110	CHASSIS ZF/XF.110	CHASSIS ZF/XF.110	WANNE ZU ZF/XF.110
	370702	TELAIO ZF/XF.125	CHASSIS ZF/XF.125	CHASSIS ZF/XF.125	WANNE ZU ZF/XF.125
	370703	TELAIO ZF/XF.145	CHASSIS ZF/XF.145	CHASSIS ZF/XF.145	WANNE ZU ZF/XF.145
	370704	TELAIO ZF/XF.165	CHASSIS ZF/XF.165	CHASSIS ZF/XF.165	WANNE ZU ZF/XF.165
19	370305	PERNO COFANO POSTERIORE ZF/XF.090	BARRE DU TABLIER ARR. ZF/XF.090	ROD ZF/XF.090	BODENKLAPPEGESTAENGE ZF/XF.090
	370306	PERNO COFANO POSTERIORE ZF/XF.110	BARRE DU TABLIER ARR. ZF/XF.110	ROD ZF/XF.110	BODENKLAPPEGESTAENGE ZF/XF.110
	370307	PERNO COFANO POSTERIORE ZF/XF.125	BARRE DU TABLIER ARR. ZF/XF.125	ROD ZF/XF.125	BODENKLAPPEGESTAENGE ZF/XF.125
	370308	PERNO COFANO POSTERIORE ZF/XF.145	BARRE DU TABLIER ARR. ZF/XF.145	ROD ZF/XF.145	BODENKLAPPEGESTAENGE ZF/XF.145
	370309	PERNO COFANO POSTERIORE ZF/XF.165	BARRE DU TABLIER ARR. ZF/XF.165	ROD ZF/XF.165	BODENKLAPPEGESTAENGE ZF/XF.165
20	370705	COFANO POSTERIORE ZF/XF.090	TABLIER ARRIERE ZF/XF.090	TAILGATE ZF/XF.090	BODENKLAPPE ZF/XF.090
	370706	COFANO POSTERIORE ZF/XF.110	TABLIER ARRIERE ZF/XF.110	TAILGATE ZF/XF.110	BODENKLAPPE ZF/XF.110
	370707	COFANO POSTERIORE ZF/XF.125	TABLIER ARRIERE ZF/XF.125	TAILGATE ZF/XF.125	BODENKLAPPE ZF/XF.125
	370708	COFANO POSTERIORE ZF/XF.145	TABLIER ARRIERE ZF/XF.145	TAILGATE ZF/XF.145	BODENKLAPPE ZF/XF.145
	370709	COFANO POSTERIORE ZF/XF.165	TABLIER ARRIERE ZF/XF.165	TAILGATE ZF/XF.165	BODENKLAPPE ZF/XF.165
21	370204	PROTEZIONE DS ZF/XF	PROTECTION DROITE ZF/XF	SIDE SHAFT GUARD, RH ZF/XF	SEITLICHES SCHUTZBLECH, R. ZF/XF
22	370310	PROTEZIONE ANTERIORE ZF/XF.090	PROTECTION ANT. ZF/XF.090	FRONT GUARD ZF/XF.090	FRONT SCHUTZGESTAENGE ZF/XF.090
	370311	PROTEZIONE ANTERIORE ZF/XF.110	PROTECTION ANT. ZF/XF.110	FRONT GUARD ZF/XF.110	FRONT SCHUTZGESTAENGE ZF/XF.110
	370312	PROTEZIONE ANTERIORE ZF/XF.125-CF.120	PROTECTION ANT. ZF/XF.125-CF.120	FRONT GUARD ZF/XF.125-CF.120	FRONT SCHUTZGESTAENGE ZF/XF.125-CF.120
	370313	PROTEZIONE ANTERIORE ZF/XF.145	PROTECTION ANT. ZF/XF.145	FRONT GUARD ZF/XF.145	FRONT SCHUTZGESTAENGE ZF/XF.145
	370314	PROTEZIONE ANTERIORE ZF/XF.165	PROTECTION ANT. ZF/XF.165	FRONT GUARD ZF/XF.165	FRONT SCHUTZGESTAENGE ZF/XF.165
	370205	PROTEZIONE SN ZF/XF	PROTECTION GAUCHE ZF/XF	SIDE SHAFT GUARD LH ZF/XF	SEITLICHES SCHUTZBLECH, L. ZF/XF
23	370715	PIEDE DI SOSTEGNO ZF/XF	PIED BEQUILLE	PARKING LEG ZF/XF	STUETZE
24	362800	PATTINO SN LATO CARTER ZF	PATIN GAUCHE ZF	SKID LH ZF	SCHLEIFKUFEN, L. ZF
25	181224Z	ROSETTA PIANA 13x24x2,5 UNI 6592 CON ZINCATURA	RONDELLE GALVANISEE	GALVANIZED WASHER	ZINK-SCHIEBE
26	362700	PATTINO DS LATO FIANCO ZF	PATIN DROITE ZF	SKID RH ZF	SCHLEIFKUFEN, R. ZF
27	V41211Z	VITE TE M12x40x1,25 8.8 TOT.FILL. UNI 5740 CON ZINCATURA	VIS	SCREW	SCHRAUBE
28	360206	REGISTRO PATTINO ZF	PLAQUE DE REGLAGE DU PATIN ZF	SKID ADJUSTER ZF	VERSTELLUNGSSTUECK ZF
29	V41206Z	VITE TE M12x30x1,25 8.8 TOT.FILL. UNI 5740 CON ZINCATURA	VIS 12x30x1,25 GALVANISE	SCREW 12x30x1,25 GALVANIZED	ZINK-SCHRAUBE 12x30x1,25
30	160010	GOLFARE D.10 ZINCATO	ETRIER	D SHAKLE	KETTENSCHLUSS
31	160600	CATENA GENOVESE D.6 ZINCATA MAGLIA DIM.INT.22x40-25 MAGLIE/M	CHAINE DU TABLIER ARR.	CHAIN	HALTETETTE
32	V50804Z	VITE TE M8x20 P.G. 8.8 TOT.FILL. UNI 5739 CON ZINCATURA	VIS	SCREW	SCHRAUBE
33	180824Z	ROSETTA	RONDELLE	WASHER	SCHIEBE

35	171080	CUFFIA De=200 H=110 PROT.ALBERO CARD XT-XF	PROTECTION	GUARD	SCHUTZ
37	141080	ANELLO DI SICUREZZA FORO D.80 UNI 7437	BAGUE D'ARRET	CIRCLIP	SEEGERRING
38	006307	CUSCINETTO 6307	ROULEMENT 6307	BEARING 6307	LAGER 6307
42	300501	TAPPO DI SFIATO 1/2"G	RENIFLARD	VENT	ENTLUFTER
43	300508	ROSETTA DI TENUTA 1/2"G	RONDELLE 1/2	WASHER 1/2	SCHIEBE 1/2
44	320501	TAPPO PER SCARICO OLIO	BOUCHON	PLUG	STOPFEN
45	370206	PIASTRA FISSAGGIO SCATOLA	PLAQUE DE FIXATION BOITIER	GEARBOX MOUNTING PLATE	GETRIEBE BEFESTIGUNGSPLATTE
	370724	TIRANTE DS SCATOLA XF VER.USA	TIRANT DROITE BOITIER XF VER.USA	HEADSTOCK REAR STAY, RH XF USA VER.	GETRIEBE ZUGSTANGE, R. XF
46	181021Z	ROSETTA PIANA 10,5x21x2 UNI 6592 CON ZINCATURA	RONDELLE GALVANISEE	GALVANIZED WASHER	ZINK-SCHIEBE
47	V51005Z	VITE TE M10x25 P.G. 8.8 TOT.FILL. UNI 5739 CON ZINCATURA	VIS 10x25 GALVANISE	SCREW 10x25 GALVANIZED	ZINK-SCHRAUBE 10x25
48	V41007	VITE TE M10x35x1,25 8.8 TOT.FILL. UNI 5740	VIS	SCREW	SCHRAUBE
49	A41012Z	DADO AUTOBLALTO M10x1,25 CL.8 DIN 982 CON ZINCATURA	ECROU AUT. M10x1,25 GALVANISE	GALVANISED LOCKNUT M10x1,25	STOP-MUTTER
50	V41207Z	VITE M12X35X1,25	VIS	SCREW	SCHRAUBE
51	370207	PIASTRA ATT.TIRANTE	PLAQUE TIRANT	HEADSTOCK REAR STAY PLATE	ZUGSTANGE PLATTE
52	370801	SCATOLA COMPLETA AD INGRANAGGI MOD.XF.090			
	370802	SCATOLA COMPLETA AD INGRANAGGI MOD.XF.110			
	370803	SCATOLA COMPLETA AD INGRANAGGI MOD.XF.125			
	370804	SCATOLA COMPLETA AD INGRANAGGI MOD.XF.145			
53	300601	G.NE GUAMOTOR	JOINT	GASKET	DICHTUNG
59	090815	ROSETTA ELASTICA 8,4x14,4x2,0 UNI 1751	RONDELLE	WASHER	SCHIEBE
60	V50805Z	VITE TE M8x25 P.G. 8.8 TOT.FILL. UNI 5739 CON ZINCATURA	VIS	SCREW	SCHRAUBE
64	300600	G.NE ASTUCCIO SEMASSE KF	JOINT KF	GASKET KF	DICHTUNG KF
65	V40805	VITE TE M8x25x1 8.8 TOT.FILL. UNI 5740	VIS	SCREW	SCHRAUBE
66	A50810Z	DADO AUTOBLALTO M8 P.G. CL.8 DIN 982 CON ZINCATURA	ECROU AUT. M8 GALVANISE	GALVANISED LOCKNUT M8	MUTTER, SELBST.
67	370757	FIANCATA SN XF-ZF	FLASQUE GAUCHE XF-ZF	DRIVE SLIDE XF-ZF	ZWISCHENFLANSCH XF-ZF
→					
01/09/14	370718	FIANCATA SN XF-ZF	FLASQUE GAUCHE XF-ZF	DRIVE SLIDE XF-ZF	ZWISCHENFLANSCH XF-ZF
68	150836	CATENA ASA 80 (ANELLO 36 MG)	CHaine ASA 80	CHAIN ASA 80	KETTE ASA 80
69	370400	PIGNONE PER CATENA ASA 80 Z-11 XF	PIGNON CONIQUE Z-11 XF	BEVEL PINION Z-11 XF	KETTENRAD Z-11 XF
70	300102	TENDICATENA	TENDEUR DE CHAINE	CHAIN TENSIONER	KETTENSPELLER
71	370600	G.NE GUAMOTOR	JOINT	GASKET	DICHTUNG
72	309000	COPERCHIO CARTER CATENA KF	CARTER DE LA CHAINE KF	CHAIN COVER KF	KETTENGHEUESE KF
→					
01/09/14	370720	CHIUSURA CATENA (CARTER)	CARTER	CHAIN COVER	KETTENDECKEL
73	D41414Z	DADO ALTO M14x1,5 CL.8 UNI 5587 CON ZINCATURA	ECROU M14x1,5 GALVANISE	GALVANISED NUT M14x1,5	MUTTER, SELBST.
74	300332	REGISTRO TENDICATENA ZF/KF	VIS DE REGLAGE ZF/KF	CHAIN TENSIONER ADJUSTER ZF/KF	STELLSCHRAUBE ZF/KF
75	370401	PIGNONE PER CATENA ASA 80 Z-13 XF	PIGNON CONIQUE Z-13 XF	BEVEL PINION Z-13 XF	KETTENRAD Z-13 XF
76	104572	ANELLO DI TENUTA 457210	JOINT D'ETANCHEITE 457210	OIL SEAL 457210	O-DICHTRING 457210
77	370710	ROTORE ZAPPE ZF/XF.090	ROTOR ZF/XF.090	ROTOR SHAFT ZF/XF.090	ROTORWELLE ZF/XF.090
	370711	ROTORE ZAPPE ZF/XF.110	ROTOR ZF/XF.110	ROTOR SHAFT ZF/XF.110	ROTORWELLE ZF/XF.110
	370712	ROTORE ZAPPE ZF/XF.125	ROTOR ZF/XF.125	ROTOR SHAFT ZF/XF.125	ROTORWELLE ZF/XF.125
	370713	ROTORE ZAPPE ZF/XF.145	ROTOR ZF/XF.145	ROTOR SHAFT ZF/XF.145	ROTORWELLE ZF/XF.145
	370714	ROTORE ZAPPE ZF/XF.165	ROTOR ZF/XF.165	ROTOR SHAFT ZF/XF.165	ROTORWELLE ZF/XF.165
78	360411	ZAPPA ELICOIDALE SN XF/ZF	LAME HELICOIDALE GAUCHE XF/ZF	CURVED BLADE LH XF/ZF	KRUMMESSER L.XF/ZF
79	360410	ZAPPA ELICOIDALE DS XF/ZF	LAME HELICOIDALE DROITE XF/ZF	CURVED BLADE RH XF/ZF	KRUMMESSER R. XF/ZF
80	370208	BLOCCAGGIO PERNO COFANO POSTERIORE	PLAQUETTE DE BLOCAGE	PIN LOCKING	BOLZEN SPERRPLATTE
81	V41207Z	VITE M12X35X1,25	VIS	SCREW	SCHRAUBE
82	370719	FIANCATA OPPOSTA TRASMISSIONE XFO/XF	PLAQUE LATERALE XFO/XF	SIDE PLATE XFO/XF	FLANSCHPLATTE XFO/XF
83	104562	ANELLO DI TENUTA 456210	JOINT D'ETANCHEITE 456210	OIL SEAL 456210	O-DICHTRING 456210
84	006306	CUSCINETTO 6306	ROULEMENT 6306	BEARING 6306	LAGER 6306
85	142030	ANELLO DI SICUREZZA ALBERO D.30 UNI 7435	BAGUE D'ARRET	CIRCLIP	SEEGERRING
86	D41212Z	DADO ALTO M12x1,25 CL.8 UNI 5587 CON ZINCATURA	ECROU M12x1,25 GALVANISE	GALVANISED NUT 12x1,25	MUTTER, SELBST.
87	091221Z	ROSETTA ELASTICA 12x21x2,5 UNI 1751 CON ZINCATURA	RONDELLE	WASHER	SCHIEBE
88	V61207Z	VITE TE M12x35x1,25 8.8 PARZ.FILL.FILL L=18 CON ZINCATURA	VIS GALVANISE	GALVANIZED SCREW	ZINK-SCHRAUBE
89	107200	TAPPO DI TENUTA 72x10	BOUCHON ET	PLUG ET	STOPFEN ET
90	171015	INGRASSATORE M10x1,5 DRRITO T.SFERA UNI 7663 TIPO A	GRAISSEUR 10x1,5	GREASE NIPPLE 10x1,5	SCHMIERNIPPEL 10x1,5
91	141072	ANELLO DI SICUREZZA FORO D.72 UNI 7437	BAGUE D'ARRET	CIRCLIP	SEEGERRING
93	170525	SPINA ELASTICA D.5 L=25 UNI ISO 8752	GOUPILLE DE SERRAGE	ROLL PIN	SPANNSTIFT