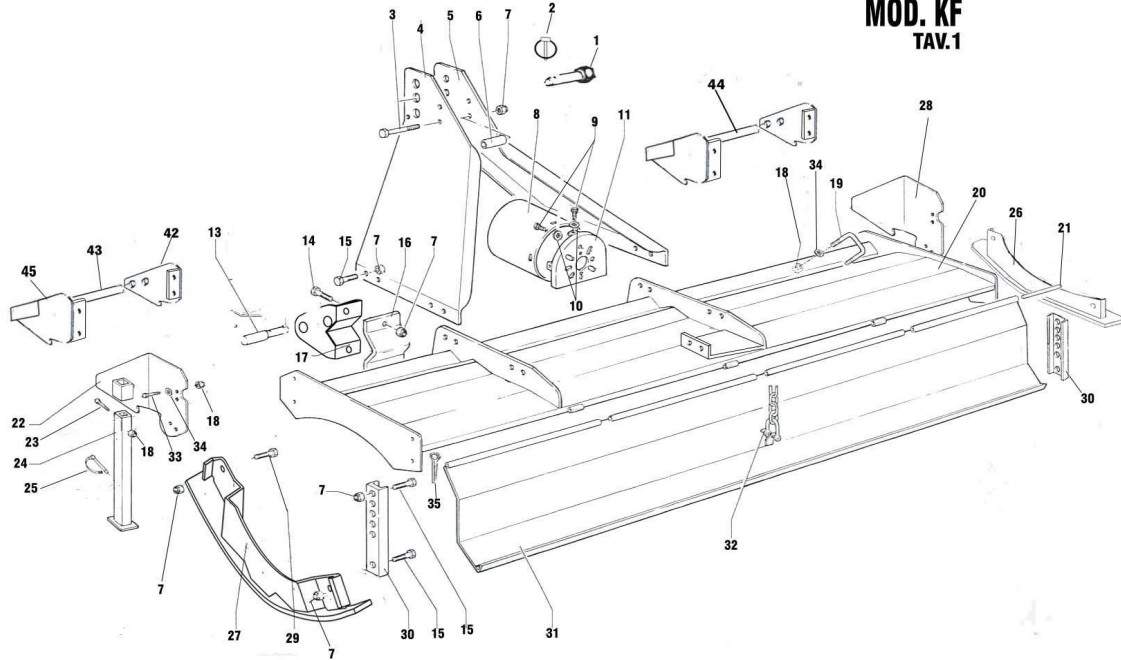


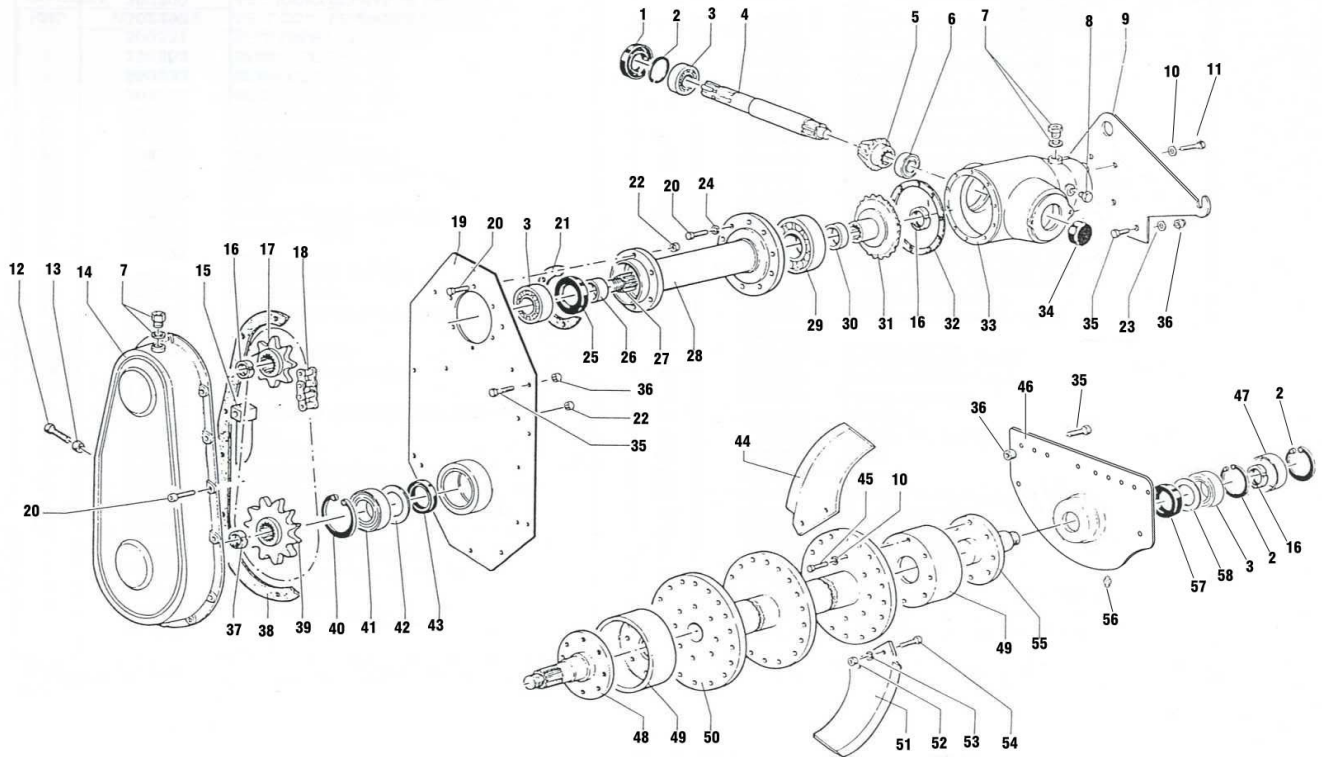
**MOD. KF
TAV.1**



TAV. 1					
POS.	COD.	DESCRIZIONE	DESIGNATION	DESCRIPTION	BEZEICHNUNG
1	171088	PERNO	AXE	PIN	BOLZEN
2	170006	SPINA CON MOLLA A SCATTO D.5,5	GOUJON DE SURETE	LINCH PIN	KLAPPSPLINT
3	V41218	VITE TE M12x90x1,25 8.8 TOT.FILL. UNI 5740	VIS 12x90x1,25	SCREW 12x90x1,25	SCHRAUBE 12x90x1,25
4	604304	SPONDA CASTELLO SN KF	TOLE DE SUPPORT GAUCHE KF	SUPPORTING PLATE KF	STUETZE, L. KF
5	604303	SPONDA CASTELLO DS KF	TOLE DE SUPPORT DROITE KF	SUPPORTING PLATE KF	STUETZE, R. KF
6	600304	DISTANZIALE CASTELLO ZF/KF	ENTRETOISE 3 POINTS ZF/KF	SPACER ZF/KF	3-PUNKT ANBAU ABSTANDSTUECK ZF/KF
7	A41214Z	DADO AUTOBLALTO M12x1,25 CL.8 DIN 982 CON ZINCATURA	ECROU AUT. M12x1,25 GALVANISE	GALVANIZED LOCKNUT M12x1,25	STOP-MUTTER
8	300416	PROTEZIONE PER GIUNTO CARDANICO	PROTECTION CARDAN	PTO GUARD	SCHUTZ
9	V50803	VITE TE M8x15 P.G. 8.8 TOT.FILL. UNI 5739	VIS 8x15	SCREW 8x15	SCHRAUBE 8x15
10	180817Z	ROSETTA PIANA 8,4x17x1,6 UNI 6592 CON ZINCATURA	RONDELLE GALVANISEE	GALVANIZED WASHER	ZINK-SCHEIBE
11	300415	SUPPORTO PROTEZIONE	PALIER DE LA PROTECTION	BRACKET	SCHUTZHALTERUNG
13	171092	PERNO INF. D.22-28 Lu=60+80 (1-2=CAT)ZINCATO+COPPIGLIA ELD.5+CATENELLA	AXE	PIN	BOLZEN
14	V41209	VITE TE M12x45x1,25 8.8 TOT.FILL. UNI 5740	VIS 12x45x1,25	SCREW 12x45x1,25	SCHRAUBE 12x45x1,25
15	V41206	VITE TE M12x30x1,25 8.8 TOT.FILL. UNI 5740	VIS 12x30x1,25	SCREW 12x30x1,25	SCHRAUBE 12x30x1,25
16	604203	CONTROSTAFFA ATT.INFERIORE ZF/KF	PLAQUE ZF/KF	PLATE ZF/KF	HALTERUNG ZF/KF
17	604200	ATTACCO TERZO PUNTO INF. KF	CHAPPE 3 POINTS INF. KF	LOWER 3RD POINT LINK KF	KF UNTERER 3-PUNKT ANBAU
18	A51012Z	DADO AUTOBLALTO M10 P.G. CL.8 DIN 982 CON ZINCATURA	ECROU AUT. M10 GALVANISE	GALVANIZED LOCKNUT M10	MUTTER, SELBST.
19	300318	CAVALLOTTO 50/M10	ETRIER	U BOLT	HALTER
20	602000	COFANO FRESA KF.090	CARTER KF.090	CHASSIS KF.090	WANNE KF.090
	602100	COFANO FRESA KF.110	CARTER KF.110	CHASSIS KF.110	WANNE KF.110
	602200	COFANO FRESA KF.125	CARTER KF.125	CHASSIS KF.125	WANNE KF.125
	602300	COFANO FRESA KF.145	CARTER KF.145	CHASSIS KF.145	WANNE KF.145
	602400	COFANO FRESA KF.155	CARTER KF.155	CHASSIS KF.155	WANNE KF.155
	602500	COFANO FRESA KF.165	CARTER KF.165	CHASSIS KF.165	WANNE KF.165
21	600309	PERNO COFANO POSTERIORE KF.090	BARRE DU TABLIER ARR. KF.090	ROD KF.090	BODENKLAPPEGESTAENGE KF.090
	600310	PERNO COFANO POSTERIORE KF.110	BARRE DU TABLIER ARR. KF.110	ROD KF.110	BODENKLAPPEGESTAENGE KF.110
	600311	PERNO COFANO POSTERIORE KF.125	BARRE DU TABLIER ARR. KF.125	ROD KF.125	BODENKLAPPEGESTAENGE KF.125
	600312	PERNO COFANO POSTERIORE KF.145	BARRE DU TABLIER ARR. KF.145	ROD KF.145	BODENKLAPPEGESTAENGE KF.145
	600313	PERNO COFANO POSTERIORE KF.155	BARRE DU TABLIER ARR. KF.155	ROD KF.155	BODENKLAPPEGESTAENGE KF.155
	600314	PERNO COFANO POSTERIORE KF.165	BARRE DU TABLIER ARR. KF.165	ROD KF.165	BODENKLAPPEGESTAENGE KF.165
	603400	PROTEZIONE LAT.SN AF/BF/MF/GF/KF	PROTECTION GAUCHE AF/BF/MF/GF/KF	GUARD LH AF/BF/MF/GF/KF	SEITLICHES SCHUTZBLECH, L. AF/BF/MF/GF/KF
22	V51005	VITE TE M10x25 P.G. 8.8 TOT.FILL. UNI 5739	VIS 10x25	SCREW 10x25	SCHRAUBE 10x25
24	604500	PIEDE DI SOSTEGNO	PIED BEQUILLE	PARKING LEG PAINTED	STUETZE
25	171070	SPINA D.10 Lu=50 CON RITEGNO A MOLLA ZINCATA	GOUJON DE SURETE	LINCH PIN	KLAPPSPLINT
26	686200	PATTINO DS AF/BF/KF	PATIN DROITE AF/BF/KF	SKID RH AF/BF/KF	SCHLEIFKUFEN, R. AF/BF/KF
27	686100	PATTINO SN AF/BF/KF	PATIN GAUCHE AF/BF/KF	SKID LH AF/BF/KF	SCHLEIFKUFEN, L. AF/BF/KF
28	600226	PROTEZIONE LAT.DS AF/BF/MF/GF/KF	PROTECTION DROITE AF/BF/MF/GF/KF	GUARD RH AF/BF/MF/GF/KF	SEITLICHES SCHUTZBLECH, R. AF/BF/MF/GF/KF
29	V41212	VITE TE M12x60x1,25 8.8 TOT.FILL. UNI 5740	VIS 12x60x1,25	SCREW 12x60x1,25	SCHRAUBE 12x60x1,25
30	600225	REGISTRO PATTINO AF/BF/KF/MF/GF/SF	PLAQUE DE REGLAGE DU PATIN AF/BF/KF/MF/GF/SF	SKID ADJUSTER AF/BF/KF/MF/GF/SF	VERSTELLUNGSTUECK AF/BF/KF/MF/GF/SF

31	600214	COFANO POSTERIORE FRESA KF.090	TABLIER ARR. KF.090	TRAILING BOARD KF.090	BODENKLAPPE KF.090
	600215	COFANO POSTERIORE FRESA KF.110	TABLIER ARR. KF.110	TRAILING BOARD KF.110	BODENKLAPPE KF.110
	600216	COFANO POSTERIORE FRESA KF.125	TABLIER ARR. KF.125	TRAILING BOARD KF.125	BODENKLAPPE KF.125
	600217	COFANO POSTERIORE FRESA KF.145	TABLIER ARR. KF.145	TRAILING BOARD KF.145	BODENKLAPPE KF.145
	600218	COFANO POSTERIORE FRESA KF.155	TABLIER ARR. KF.155	TRAILING BOARD KF.155	BODENKLAPPE KF.155
	600219	COFANO POSTERIORE FRESA KF.165	TABLIER ARR. KF.165	TRAILING BOARD KF.165	BODENKLAPPE KF.165
32	160600	CATENA GENOVESE D.6 ZINCATA MAGLIA DIM.INT.22x40-25 MAGLIE/M	CHAINE DU TABLIER ARR.	CHAIN	HALTEKETTE
33	V51008	VITE 10X40	VIS	SCREW	SCHRAUBE
34	181030	ROSETTA LARGA 10,5x30x2,5 UNI 6593	RONDELLE	WASHER	SCHEIBE
35	170003	COPIGLIA APRIBILE D.6,3 L=40 UNI 1336	GOUPIILLE DE SURETE	SAFETY PIN	VORSTECKER
42	600268	kf 90 - kf 110 -kf 125			
	680268	kf 145-kf 155-kf 165-ef 180			
43	680311	protezione kf /ef/uf 90			
	680312	protezione kf/ef/uf 110			
	680313	protezione kf/ef/uf 125			
	680304	protezione kf /ef/uf145			
	680302	protezione kf /ef/uf155- kf /ef/uf 165			
	680305	protezione ef /uf180			
44	680302	protezione kf /ef/uf145			
	680303	protezione kf /ef/uf155			
	680310	protezione kf /ef/uf165			
	680306	protezione ef/uf 180			
45	600269	kf 90 - kf 110 -kf 125			
	680269	kf 145-kf 155-kf 165-ef 180			

**MOD. KF
TAV.2**



TAV. 2

POS.	COD.	DESCRIZIONE	DESIGNATION	DESCRIPTION	BEZEICHNUNG
1	103580	ANELLO DI TENUTA 358010	JOINT D'ETANCHEITE 358010	OIL SEAL 358010	O-DICHTRING 358010
2	141080	ANELLO DI SICUREZZA FORO D.80 UNI 7437	BAGUE D'ARRRET	CIRCLIP	SEEGERRING
3	006307	CUSCINETTO 6307	ROULEMENT 6307	BEARING 6307	LAGER 6307
4	300304	ALBERO CONDUTTORE KF	ARBRE CONDUCTEUR KF	DRIVE SHAFT KF	HAUPTWELLE KF
5	600402	PIGNONE FRESA KF	PIGNON CONIQUE KF	BEVEL PINION KF	KEGELRAD KF
6	032208	CUSCINETTO 32208	ROULEMENT 32208	BEARING 32208	LAGER 32208
7	300501	TAPPO DI SFIATO 1/2"G	RENIFLARD	VENT	ENTLUFTER
8	320501	TAPPO PER SCARICO OLIO	BOUCHON	PLUG	STOPFEN
9	600209	SUPPORTO SCATOLA FRESA KF	SUPPORT DU BOITIER KF	GEARBOX SUPPORT KF	GETRIEBEGEHAUSEHALTER KF
10	090010	ROSETTA ONDULATA 10,5x21x1 UNI 8840-B	RONDELLE	WASHER	SCHIBE
11	V51005	VITE TE M10x25 P.G. 8.8 TOT.FILL. UNI 5739	VIS 10x25	SCREW 10x25	SCHRAUBE 10x25
12	300332	REGISTRO TENDICATENA ZF/KF	VIS DE REGLAGE ZF/KF	CHAIN TENSIONER ADJUSTER ZF/KF	STELLSCHRAUBE ZF/KF
13	D41414	DADO ALTO M14x1,5 CL.8 UNI 5587	ECROU M14x1,5	NUT M14x1,5	MUTTER, SELBST.
14	309000	COPERCHIO CARTER CATENA KF	CARTER DE LA CHAINE KF	CHAIN COVER KF	KETTENGEHAUSE KF
15	300102	TENDICATENA	TENDEUR DE CHAINE	CHAIN TENSIONER	KETTENSPELLER
16	123015	GHIERA AUTOBLOCCANTE M30x1,5	ECROU DE SERRAGE 30x1,5	LOCKNUT 30x1,5	NUT-MUTTER, SELBST. 30x1,5
17	300401	PIGNONE PER CATENA KF	PIGNON CONIQUE KF	SPROKET	KETTENRAD KF
18	151034	CATENA ASA 100 (ANELLO 34 MG)	CHAINE ASA 100	CHAIN ASA 100	KETTE ASA 100
19	603800	FONDO CARTER FRESA KF	FLASQUE GAUCHE KF	DRIVE SLIDE KF	ZWISCHENFLANSCH KF
20	V50806	VITE TE M8x30 P.G. 8.8 TOT.FILL. UNI 5739	VIS 8x30	SCREW 8x30	SCHRAUBE 8x30
21	300600	G.NE ASTUCCIO SEMIASSE KF	JOINT KF	GASKET KF	DICHTUNG KF
22	A508102	DADO AUTOBL.ALTO M8 P.G. CL.8 DIN 982 CON ZINCATURA	ECROU AUT. M8 GALVANISE	GALVANISED LOCKNUT M8	MUTTER, SELBST.
23	181021	ROSETTA PIANA 10,5x21x2 UNI 6592	RONDELLE	WASHER	SCHIBE
24	090008	ROSETTA ONDULATA 8,4x15x0,8 UNI 8840-B	RONDELLE	WASHER	SCHIBE
25	104572	ANELLO DI TENUTA 457210	JOINT D'ETANCHEITE 457210	OIL SEAL 457210	O-DICHTRING 457210
26	600336	DISTANZIALE KF	ENTRETOISE KF	SPACER KF	ABSTANDSSTUECK KF
27	300300	SEMIASSE KF.090	ARBRE SECONDAIRE KF.090	SIDE DRIVE SHAFT KF.090	ANTRIEBSWELLE KF.090
	300301	SEMIASSE KF.110	ARBRE SECONDAIRE KF.110	SIDE DRIVE SHAFT KF.110	ANTRIEBSWELLE KF.110
	300302	SEMIASSE KF.125	ARBRE SECONDAIRE KF.125	SIDE DRIVE SHAFT KF.125	ANTRIEBSWELLE KF.125
	300303	SEMIASSE KF.145	ARBRE SECONDAIRE KF.145	SIDE DRIVE SHAFT KF.145	ANTRIEBSWELLE KF.145
	300331	SEMIASSE KF.155/165	ARBRE SECONDAIRE KF.155/165	SIDE DRIVE SHAFT KF.155/165	ANTRIEBSWELLE KF.155/165
28	302100	ASTUCCIO SEMIASSE XF/KF.090	TROMPETTE GAUCHE XF/KF.090	SIDE DRIVE SHAFT SUPPORT XF/KF.090	ANTRIEBSWELLENGEHAUSE XF/KF.090
	302200	ASTUCCIO SEMIASSE XF/KF/EF.110	TROMPETTE GAUCHE XF/KF/EF.110	SIDE DRIVE SHAFT SUPPORT XF/KF/EF.110	ANTRIEBSWELLENGEHAUSE XF/KF/EF.110

	302300	ASTUCCIO SEMIASSE XF/KF/EF.125	TROMPETTE GAUCHE XF/KF/EF.125	SIDE DRIVE SHAFT SUPPORT XF/KF/EF.125	ANTRIEBSWELLENGEHAUESE XF/KF/EF.125
	302400	ASTUCCIO SEMIASSE XF/KF/EF.145	TROMPETTE GAUCHE XF/KF/EF.145	SIDE DRIVE SHAFT SUPPORT XF/KF/EF.145	ANTRIEBSWELLENGEHAUESE XF/KF/EF.145
	307200	ASTUCCIO SEMIASSE XF.165/KF.155-165/EF.155-165	TROMPETTE GAUCHE XF.165/KF.155-165/EF.155-165	SIDE DRIVE SHAFT SUPPORT XF.165/KF.155-165/EF.155-165	ANTRIEBSWELLENGEHAUESE XF.165/KF.155-165/EF.155-165
29	030309	CUSCINETTO 30309	ROULEMENT 30309	BEARING 30309	LAGER 30309
30	300306	DISTANZIALE ZF/KF	ENTRETOISE ZF/KF	SPACER ZF/KF	ABSTANDSSTUECK ZF/KF
31	300403	CORONA FRESA KF	COURONNE CONIQUE KF	CROWN WHEEL KF	TELLERAD KF
32	300601	G.NE GUAMOTOR	JOINT	GASKET	DICHTUNG
33	300103	SCATOLA RIDUTTORE FRESA KF	CARTER DU BOITIER KF	GEARBOX CASE KF	GETRIEBEGEHAUESE KF
34	105207	TAPPO DI TENUTA 52x7	BOUCHON	PLUG	STOPFEN
35	V51006	VITE TE M10x30 P.G. 8.8 TOT.FILL. UNI 5739	VIS 10x30	SCREW 10x30	SCHRAUBE 10x30
36	A41012Z	DADO AUTOBL.ALTO M10x1.25 CL.8 DIN 982 CON ZINCATURA	ECROU AUT. M10x1.25 GALVANISE	GALVANISED LOCKNUT M10x1.25	STOP-MUTTER
37	193515	GHIERA AUTOBL.PESANTE M35x1.5			
38	300609	G.NE GUAMOTOR	JOINT	GASKET	DICHTUNG
39	600405	PIGNONE PER CATENA KF	PIGNON CONIQUE KF	SPROKET	KETTENRAD KF
40	141090	ANELLO DI SICUREZZA FORO D.90 UNI 7437	BAGUE D'ARRET	CIRCLIP	SEEGERRING
41	006308	CUSCINETTO 6308	ROULEMENT 6308	BEARING 6308	LAGER 6308
42	310203	RONDELLA PARAGRASSO (NILOS 6308 AV)	RONDELLE	SEAL PLATE	SCHIEBE
43	105570	ANELLO DI TENUTA 557010	JOINT D'ETANCHEITE 557010	OIL SEAL 557010	O-DICHTRING 557010
44	300407	ZAPPA ELICOIDALE DS KF/EF/UF	LAME HELICOIDALE DROITE KF/EF/UF	CURVED BLADE RH KF/EF/UF	KRUMMESSER, R. KF/EF/UF
	300413	ZAPPA AD ANGOLO DS KF/EF/UF	LAME A L'EQUERRE DROITE KF/EF/UF	ANGULAR BLADE RH KF/EF/UF	WINKELMESSER, R. KF/EF/UF
45	V41005	VITE TE M10x25x1.25 8.8 TOT.FILL. UNI 5740			
46	603900	FIANCO FRESA KF	PLAQUE LATERALE KF	SIDE PLATE KF	FLANSCHPLATTE KF
47	108000	TAPPO DI TENUTA 80x10	BOUCHON	PLUG	STOPFEN
48	600401	MOZZO DI TRASCINAMENTO EKF	ARBRE DE COMMANDE EKF	DRIVE HUB EKF	ROTORANTRIEBSZAPPEN EKF
49	300406	PARAPOLVERE KF	PARE-POUSSIERE KF	DUST COYER KF	STAUBDECKEL KF
50	602900	ALBERO ZAPPE KF.090	ROTOR KF.090	ROTOR SHAFT KF.090	ROTORWELLE KF.090
	603000	ALBERO ZAPPE KF.110	ROTOR KF.110	ROTOR SHAFT KF.110	ROTORWELLE KF.110
	603100	ALBERO ZAPPE KF.125	ROTOR KF.125	ROTOR SHAFT KF.125	ROTORWELLE KF.125
	603200	ALBERO ZAPPE KF.145	ROTOR KF.145	ROTOR SHAFT KF.145	ROTORWELLE KF.145
	307600	ALBERO ZAPPE KF.155	ROTOR KF.155	ROTOR SHAFT KF.155	ROTORWELLE KF.155
	603300	ALBERO ZAPPE KF.165	ROTOR KF.165	ROTOR SHAFT KF.165	ROTORWELLE KF.165
51	300408	ZAPPA ELICOIDALE SN KF/EF/UF	LAME HELICOIDALE GAUCHE KF/EF/UF	CURVED BLADE LH KF/EF/UF	KRUMMESSER, L. KF/EF/UF
	300414	ZAPPA AD ANGOLO SN KF/EF/UF	LAME A L'EQUERRE GAUCHE KF/EF/UF	ANGULAR BLADE LH KF/EF/UF	WINKELMESSER, L. KF/EF/UF
52	D41212Z	DADO ALTO M12x1.25 CL.8 UNI 5587 CON ZINCATURA	ECROU M12x1.25 GALVANISE	GALVANISED NUT 12x1.25	MUTTER, SELBST.
53	091221Z	ROSETTA ELASTICA 12x12x2,5 UNI 1751 CON ZINCATURA	RONDELLE	WASHER	SCHIEBE
54	V61207Z	VITE TE M12x35x1.25 8.8 PARZ.FILL.FILL.L=18 CON ZINCATURA	VIS GALVANISE	GALVANIZED SCREW	ZINK-SCHRAUBE
55	300412	MOZZO FIANCO FRESA KF	FUSEE KF	HUB KF	ZAPPEN KF
56	171015	INGRASSATORE M10x1.5 DRITTO T.SFERA UNI 7663 TIPO A	GRAISSEUR 10x1.5	GREASE NIPPLE 10x1.5	SCHMIERNIPPEL 10x1.5
57	104570	ANELLO DI TENUTA 457010	JOINT D'ETANCHEITE 457010	OIL SEAL 457010	O-DICHTRING 457010
58	300203	RONDELLA PARAGRASSO (NILOS 6307 AV)	RONDELLE	SEAL PLATE	SCHIEBE