



RUOTE ANTERIORI
FRONT WHEELS
RUEDAS DELANTERAS

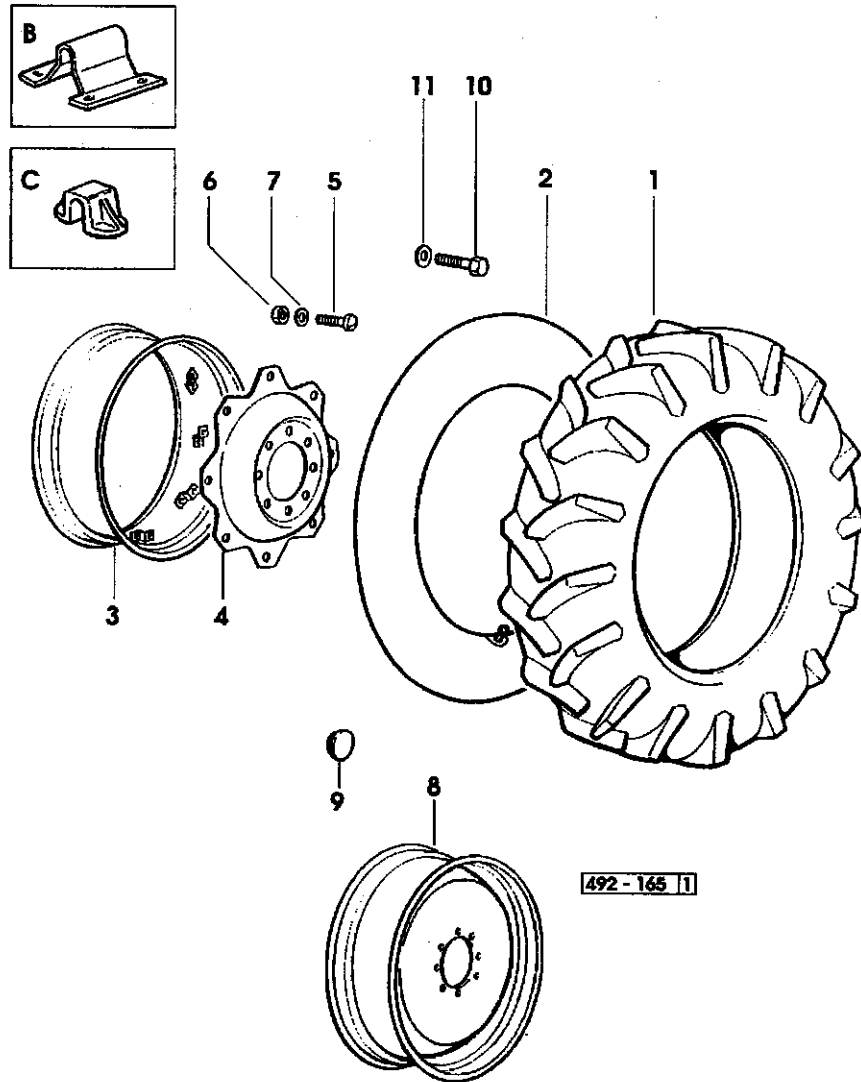
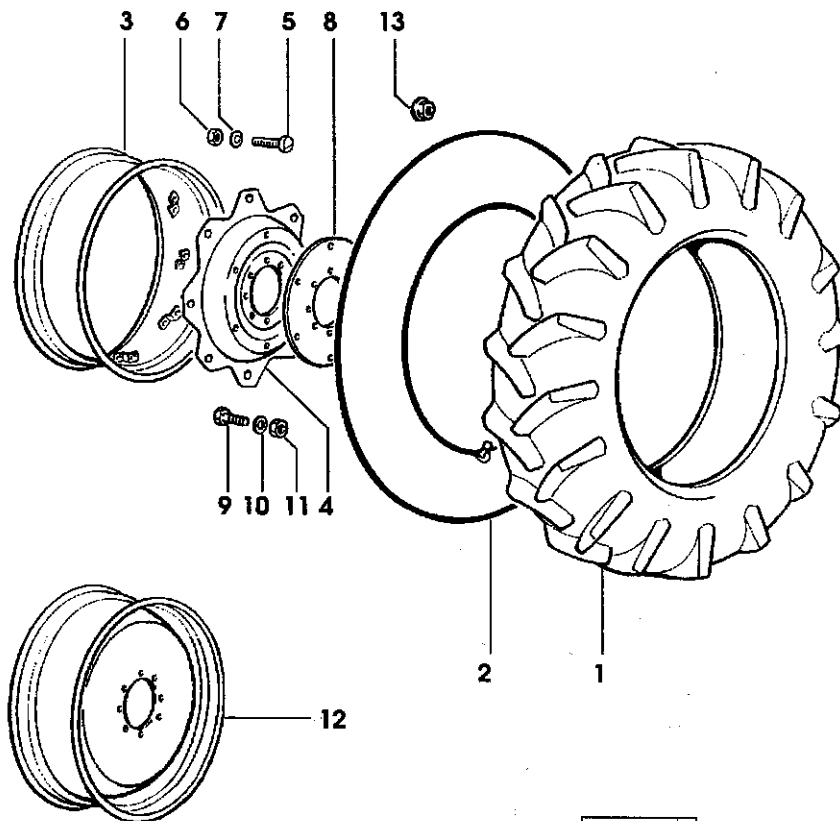


FIG.	N.ORDINAZIONE	Q.TA'	DENOMINAZIONE	DESCRIPTION	DENOMINACION
1	2.4811.075.0	2	pneumatico 480/70R30" a8	tyre	neumatico
	2.4811.055.0	2	pneumatico 16.9R30" a8	tyre	neumatico
	2.4819.115.0	2	pneumatico 480/70R28" a8	tyre	neumatico
2	2.4820.040.0	2	camera d'aria 16.9/14x30"	air chamber	camara de aire
	2.4820.087.0	2	camera d'aria 480/70x28" X 480/70R30" - 16.9R30" X 480/70R28"	air chamber	camara de aire
3	270.5551.3	2	cerchio dw 14x30"	rim	llanta
	009.4230.1	2	= C X 480/70R30" - 16.9R30" cerchio	rim	llanta
	009.7613.3	2	= B X 480/70R30" - 16.9R30" cerchio w 14x28" X 480/70R28"	rim	llanta
4	257.5516.0	2	flangia	flange	brida
	009.4313.0	2	= C X 480/70R30" - 16.9R30" - 480/70R28" flangia	rim center flange	brida para llanta
	009.4313.1	2	= B X 480/70R30" - 16.9R30" - 480/70R28" vite "b"	screw	tornillo
5	2.0399.205.6	12	vite m 18 p.1.5x90	screw	tornillo
	009.4313.1	12	= C X 480/70R30" - 16.9R30" - 480/70R28" vite "b"	screw	tornillo
	009.4225.1	12	= B X 480/70R30" - 16.9R30" - 480/70R28" dado	nut	tuerca
	009.4225.1	12	= C X 480/70R30" - 16.9R30" - 480/70R28" dado	nut	tuerca
7	2.1499.018.6	12	rondella a tazza 18x35.5	conical washer	arandela conica
	009.4226.1	12	= C X 480/70R30" - 16.9R30" - 480/70R28" rondella	flat washer	arandela plana
	009.6705.3	2	= B X 480/70R30" - 16.9R30" cerchio	rim	llanta
	009.6705.3	2	X 480/70R30" - 16.9R30" cerchio	rim	llanta
9	264.4353.0	2	dischetto	small disc	disco
10	2.0399.140.6	16	vite m 18 p.1.5x60	screw	tornillo
11	2.1599.501.6/10	16	rosetta speciale 22x40x7.5	washer	arandela

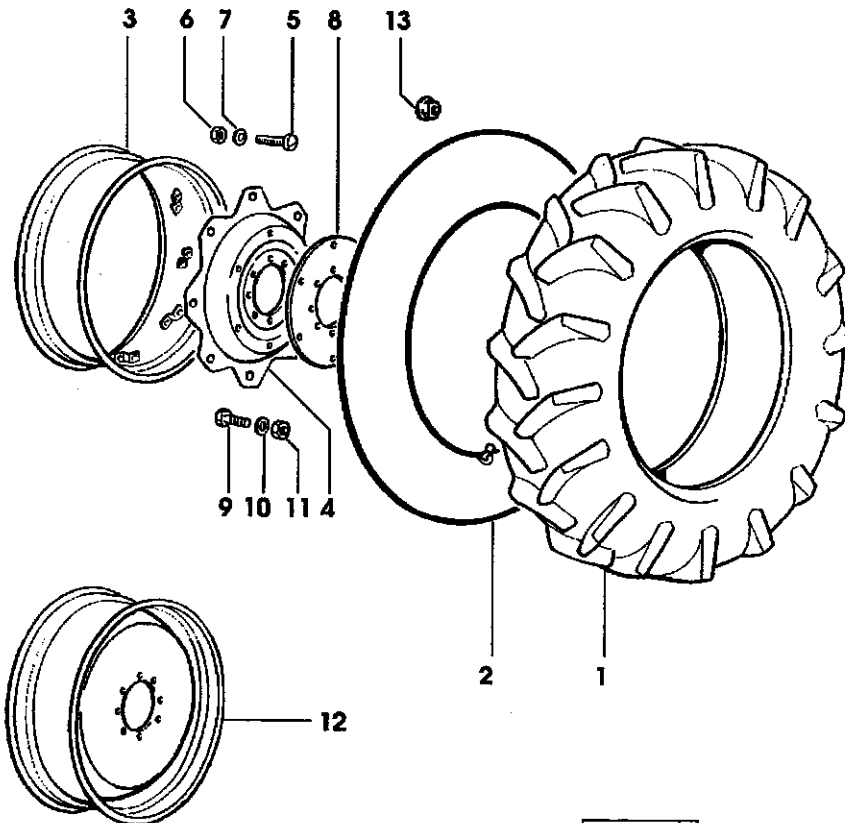
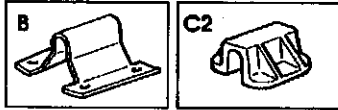
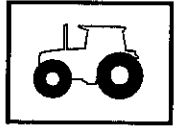
RUOTE POSTERIORI
REAR WHEELS
RUEDAS TRASERAS



492 - 166 | 1

FIG. N.	ORDINAZIONE	Q.TA'	DENOMINAZIONE	DESCRIPTION	DENOMINACION
1	2.4811.067.0	2	pneumatico 20.8R-38" a8	tyre	neumatico
	2.4811.076.0	2	pneumatico 580/70R-38" a8	tyre	neumatico
	2.4811.084.0	2	pneumatico 650/75R-34" a8	tyre	neumatico
	2.4811.074.0	2	pneumatico 520/70x38" a8	tyre	neumatico
2	2.4829.016.0	2	camera d'aria 20.8x38"	air chamber	camara de aire
	2.4820.092.0	2	X 20.8R38" - 580/70R38" camera d'aria 650/75x34"	air chamber	camara de aire
	2.4829.014.0	2	X 650/75R34" camera aria X 480/70R-38" a8 X 520/70R38"	air chamber	camara de aire
3	212.5554.3/20	2	cerchio = C2	rim	llanta
	009.4240.1	2	X 20.8R38" - 580/70R38" cerchio con staffe = B	rim	llanta
	164.5526.3	2	20.8R38" cerchio X 520/70R38"	rim	llanta
4	241.5527.0	2	flangia = C2	rim center flange	brida para llanta
	009.4239.1	2	X 20.8R38" - 580/70R38" flangia = B	rim center flange	brida para llanta
5	2.0399.090.6/10	16	vite m 18 p.1.5x125 = C2	screw	tornillo
	009.4242.1	16	X 20.8R38" - 580/70R38" vite = B	screw	tornillo
	2.0399.204.6	16	20.8R38" vite X 520/70R38"	screw	tornillo
6	2.1019.060.6	16	dado m 18 p.1.5 = C2	nut	tuerca
	009.4225.1	16	X 20.8R38" - 580/70R38" - 520/70R38" dado = B	nut	tuerca
7	2.1499.018.6	16	X 20.8R38" rondella a tazza 18x35.5 = C2	conical washer	arandela conica
	009.4241.1	16	X 20.8R38" - 580/70R38" - 520/70R38" rondella = B	flat washer	arandela plana
8	009.1672.0	2	20.8R38" rinforzo X 580/70R38"	brace	refuerzo

RUOTE POSTERIORI
REAR WHEELS
RUEDAS TRASERAS



492 - 166 | 1

FIG. N.ORDINAZIONE	Q.TA'	DENOMINAZIONE	DESCRIPTION	DENOMINACION
9 2.0122.617.6	12	vite m 16 p. 1.5x45	screw	tornillo
10 2.1310.010.6	12	rondella piana 17x30	washer	arandela
11 2.1011.309.6	12	dado m 16 p.1.5	nut	tuerca
12 009.2882.3	2	cerchio X 650/75R34" X TITAN 190	rim	llanta
009.6704.3	2	cerchio X 20.8R38" - 580/70R38"	rim	llanta
13 2.1099.083.0/20	16	dado m 20 p.1.5	special nut	tuerca especial
2.1099.085.0/20	16	dado m 22 p.1.5	special nut	tuerca especial